

4

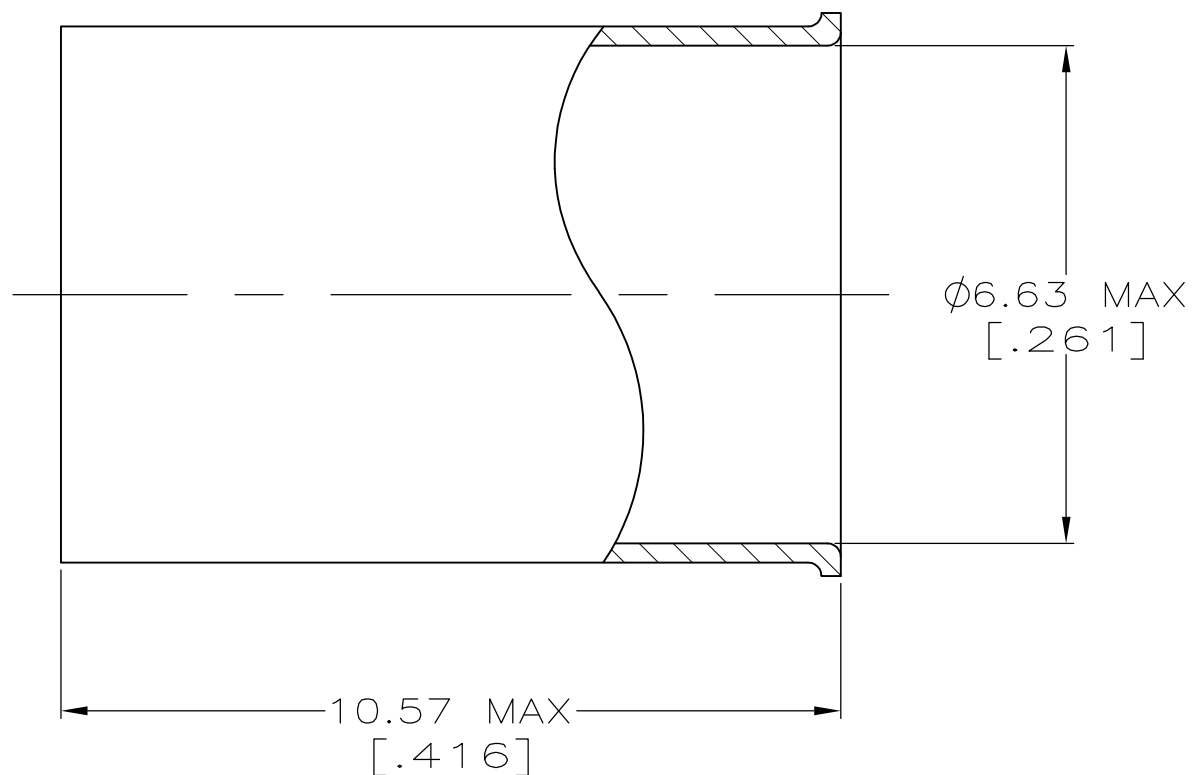
3

2

1

THIS DRAWING IS UNPUBLISHED. RELEASED FOR PUBLICATION
 © COPYRIGHT BY TYCO ELECTRONICS CORPORATION. ALL INTERNATIONAL RIGHTS RESERVED.

LOC	DIST	REVISIONS					
AJ	16	P	LTR	DESCRIPTION	DATE	DWN	APVD
			K	REVISED PER ECO-10-008433	20MAY10	HMR	KW



- 1. COPPER ALLOY
- △2 GOLD PLATE PER MIL-G-45204, 0.08μm [.0000030] MIN THICKNESS
- △3 SILVER PLATE PER QQ-S-365, 5.08μm [.000200] MIN THICKNESS
- △4 TIN-LEAD PLATE PER ASTM-B-545, 2.54μm [.000100] MIN THICKNESS

OBSOLETE	△4	2-329041-5
	△4	2-329041-3
OBSOLETE	△2	2-329041-1
	△3	329041
	FINISH	PART NUMBER

THIS DRAWING IS A CONTROLLED DOCUMENT.		DWN MICHAEL E. COWHER 10NOV95	Tyco Electronics Corporation Harrisburg, PA 17105-3608													
DIMENSIONS: mm [INCHES]		CHK FRANK MORANA 10NOV95	NAME FERRULE													
TOLERANCES UNLESS OTHERWISE SPECIFIED:		APVD FRANK MORANA 10NOV95	PRODUCT SPEC -													
<table border="0"> <tr><td>0 PLC</td><td>± -</td></tr> <tr><td>1 PLC</td><td>± -</td></tr> <tr><td>2 PLC</td><td>± -</td></tr> <tr><td>3 PLC</td><td>± -</td></tr> <tr><td>4 PLC</td><td>± -</td></tr> <tr><td>ANGLES</td><td>± -</td></tr> </table>		0 PLC	± -	1 PLC	± -	2 PLC	± -	3 PLC	± -	4 PLC	± -	ANGLES	± -	APPLICATION SPEC -	SIZE A3	CAGE CODE 00779
0 PLC	± -															
1 PLC	± -															
2 PLC	± -															
3 PLC	± -															
4 PLC	± -															
ANGLES	± -															
MATERIAL SEE NOTES	FINISH SEE TABLE	WEIGHT -	DRAWING NO G-329041	RESTRICTED TO -												
CUSTOMER DRAWING			SCALE 10:1	SHEET 1 OF 1												
			REV K													